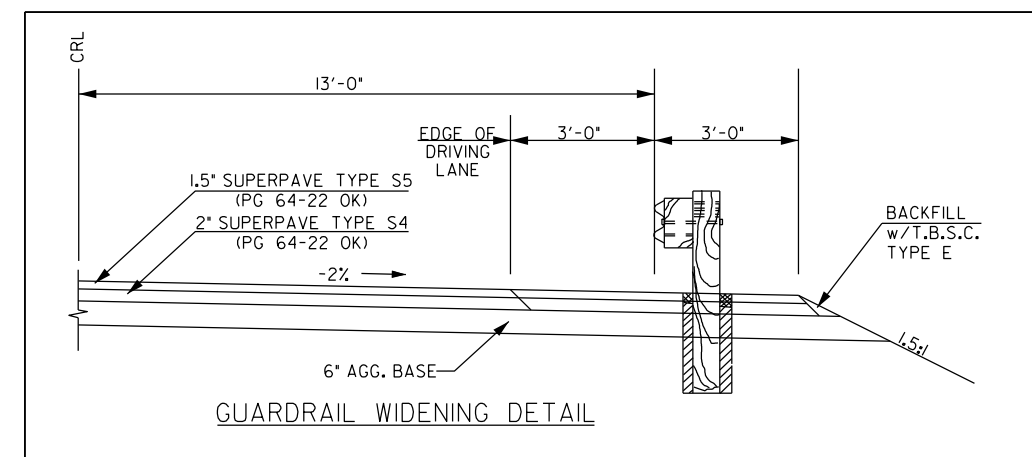


NOT TO SCALE
TYPICAL SECTION NO.1

CRL STATION 1+01.47 - 9+44.49



E-1844/DAIRY LANE ATOKA COUNTY

SOUTHEAST #3 CIRCUIT ENGINEERING DISTRICT

TYPICAL SECTIONS

STATE JOB NO. 31169(04) SHEET NO. 002